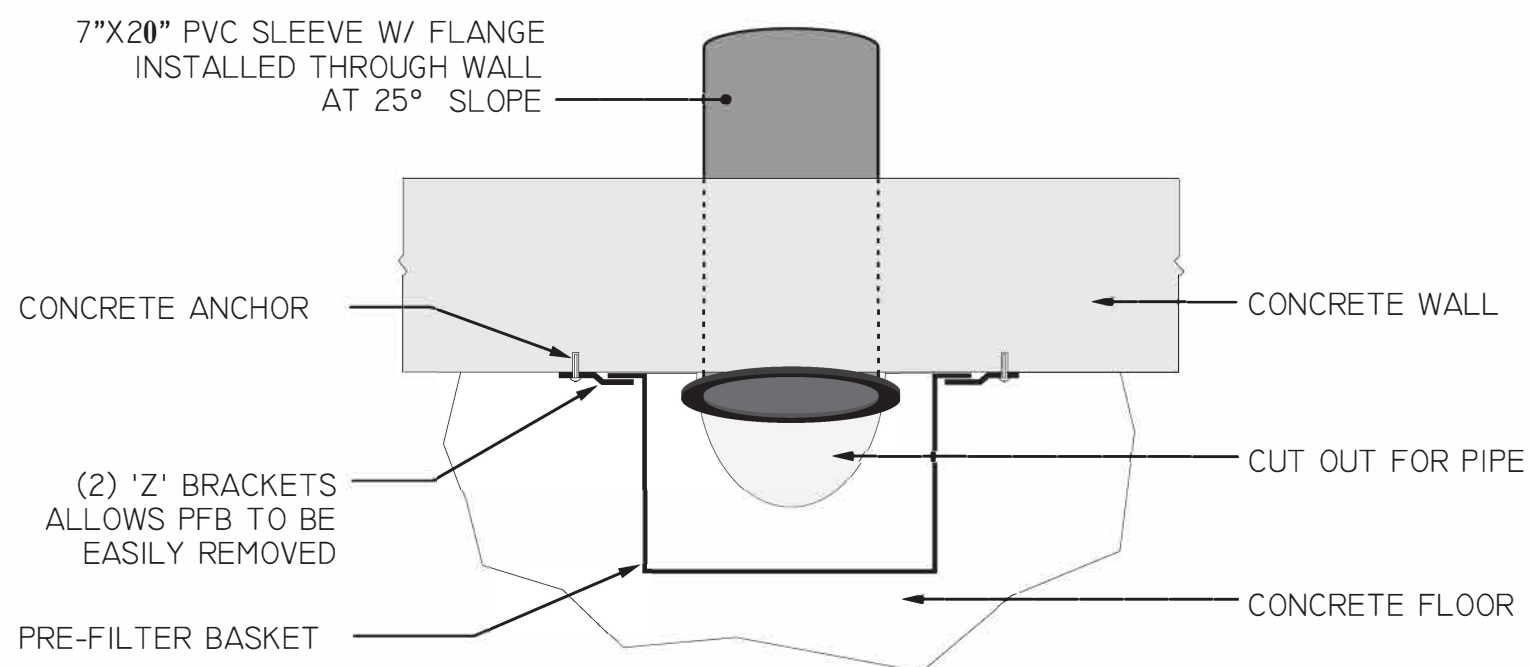


ELEVATION VIEW



TOP VIEW

# SPI PETRO-PIPE<sup>®</sup> INSTALLATION W/PRE-FILTER BASKET



Post Office Box 35 • Northford, CT • 06472

Phone: 1-800-758-3634 • Fax: 203-484-9492

US Patent #,s 6485639, 6503390,6841077 • CA Patent 2400505 Copyright © 2014